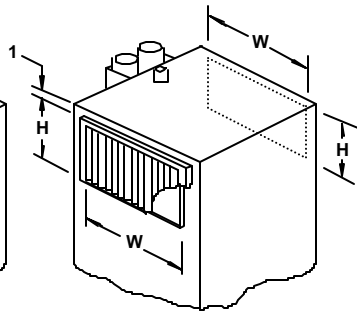


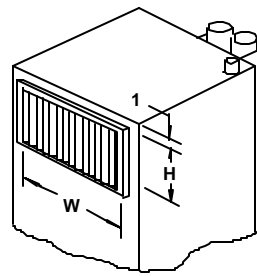
TYPE F
(FRONT)

SINGLE DEFLECTION
DOUBLE DEFLECTION



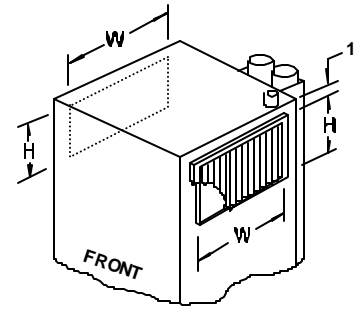
TYPE F-B
(FRONT & BACK)

SINGLE DEFLECTION
DOUBLE DEFLECTION



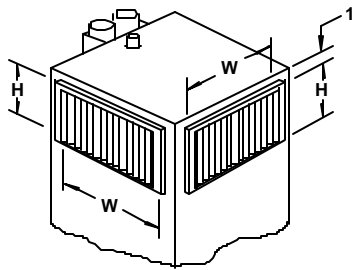
TYPE F
(FRONT)

SINGLE DEFLECTION
DOUBLE DEFLECTION



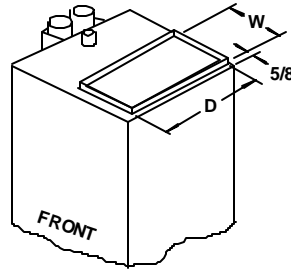
TYPE L-R
(LEFT-RIGHT)

SINGLE DEFLECTION
DOUBLE DEFLECTION



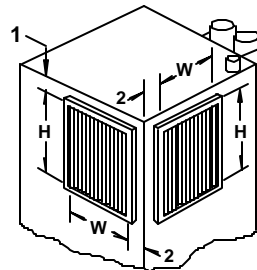
TYPE F-R
(FRONT & RIGHT)

SINGLE DEFLECTION
DOUBLE DEFLECTION



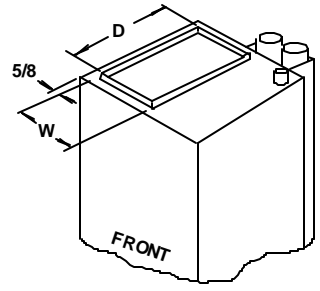
TYPE T
(TOP DUCTED)

DIMENSION D CENTERED



TYPE C/F-R
(CORNERSTONE -
FRONT & RIGHT)

SINGLE DEFLECTION
DOUBLE DEFLECTION



TYPE T
(TOP DUCTED)

DIMENSION D CENTERED

LH SIDE RISER UNITS SHOWN ABOVE

See Drawing No. 611PVS for plan views.

RH REAR RISER UNITS SHOWN ABOVE

See Drawing No. 611PVR for plan views.

Notes:

1. All standard Whalen supply grilles and registers are fabricated of clear anodized aluminum.
2. See unit schedule for discharge types. Optional supply registers are available with either parallel or opposed blade dampers at extracost.
3. Supply and return air grilles are shipped loose, for installation after drywall installation is complete.
4. Listed grille and register dimensions are for the grille opening size. All grilles are centered, except for the cornerstone type.
5. Unless otherwise noted, the front grille blades will be vertical, as drawn.
6. Registers should be avoided whenever possible, as restriction of airflow may lead to lockout of the compressor. Avoid combining ducted (Type T) discharge with unit mounted registers. This combination can increase the noise level at the unit.
7. Where Type T is combined with Type F, B, L or R, grille height will be that of a two-grille discharge.

UNIT SIZE	1 Grille Type (F,B,L,R)		2 Grille Type (F-B, F-L, F-R, L-R, B-L, B-R)		2 Grille Corner- stone Type (C/F-L, C/F-R)		3 Grille Type (F-L-R, F-B-L, F-B-R)		Top Ducted Type (T)	
	W	H	W	H	W	H	W	H	W	D
200	10	8	10	4	4	10	10	4	12	10
300	14	8	14	6	6	14	14	6	12	10
400	14	10	14	6	6	14	14	6	12	12
600	16	12	16	6	8	16	16	6	14	14
800	16	16	16	8	8	16	16	8	14	16

All dimensions in inches.

WATER SOURCE HEAT PUMPS

THE WHALEN COMPANY
EASTON, MARYLAND

SUPPLY GRILLE DISCHARGE OPTIONS

ISOMETRIC VIEW - SERIES VI VERTICAL UNITS

DRAWING NUMBER 611E

DECEMBER 2000