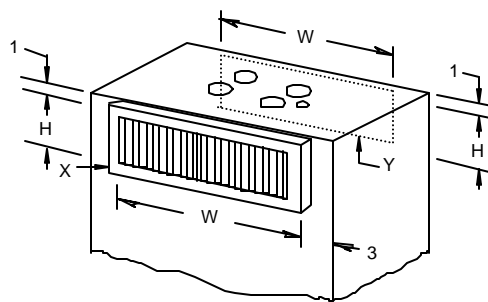
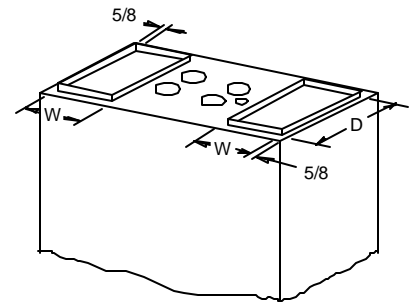


**TYPE I**  
**FRONT DISCHARGE**  
 IA) SINGLE DEFLECTION  
 IB) DOUBLE DEFLECTION



**TYPE II**  
**FRONT & REAR DISCHARGE**  
 IIA) SINGLE DEFLECTION  
 IIB) DOUBLE DEFLECTION



**TYPE V**  
**(CAN BE COMBINED WITH TYPE I OR TYPE II)**  
**D DIMENSION IS CENTERED**

**NOTES:**

1. All standard Whalen supply grilles and registers are fabricated of clear anodized aluminum.
2. See unit schedule for type of grilles or registers. Optional supply registers are available with either parallel or opposed blade dampers at extra cost.
3. Supply and return air grilles are shipped loose, for installation after the drywall installation is complete.
4. Listed grille and register dimensions are for the grille opening size.
5. Unless otherwise noted, the front grille blades will be vertical, as drawn.
6. Type V ducted units include internal backdraft dampers.



UNIT CFM	TYPE I		GRILLE	TYPE II		TYPE V	
	W	H		W	H	W	D
300 400	18	8	X	18	4	6	12
			Y	18	4		
500 600	18	10	X	18	5	6	12
			Y	18	5		
800 1000	26	10	X	26	5	8	12
			Y	26	5		
1200	30	10	X	30	5	10	14
			Y	30	5		
1600	30	12	X	30	6	10	14
			Y	30	6		

All dimensions in inches. All sizes are maximum.

RISER HEAT-EXCHANGER VERTICAL FAN-COIL UNITS

**THE WHALEN COMPANY**  
 EASTON, MARYLAND

**SUPPLY GRILLE OR REGISTER OPTIONS**  
**50/50 FOUR PIPE**  
**UNITS WITH FAN CYCLE CONTROL**

DRAWING NUMBER 211E