

50/50 FOUR-PIPE SYSTEM

Whalen 50/50 Four-Pipe System

- Year-round comfort and reliability
- Lower installation and operating costs
- Clean and quiet operation



The Whalen Company

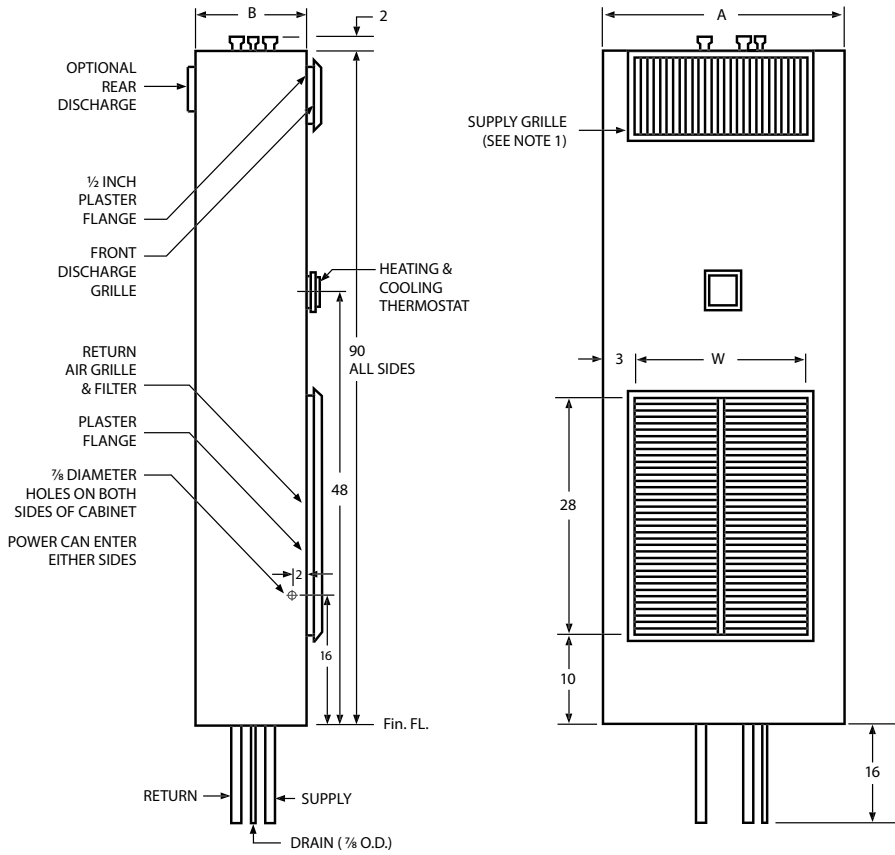
PO Box 1390 · Easton, Maryland 21601

Tel 410.822.9200 · Fax 410.822.8926

www.whalencompany.com

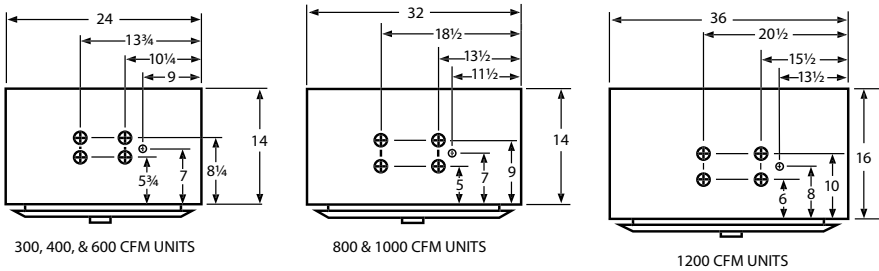


Units with Fan Cycle Control



Left Side View

Front View



Plan View

50/50 Four-Pipe Units with Fan Cycle Control

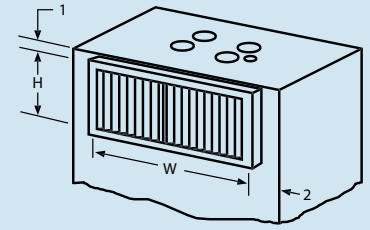
Model No.	Nominal CFM	A	B	W	Minimum Sleeve Size
W3022	300	24	14	18	8 x 10
W4022	400	24	14	18	8 x 10
W6022	600	24	14	18	8 x 10
W8022	800	32	14	26	10 x 10
W10022	1000	32	14	26	10 x 10
W12022	1200	36	16	30	10 x 10

All dimensions in inches.

Cabinet Notes

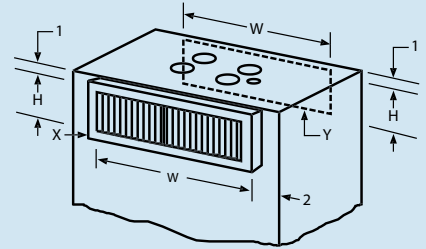
1. See drawing number 211 for supply grille or register options. The return air grille is always on the front of the unit.
2. Cabinet is continuous galvanized steel, suitable for direct application of drywall plaster board.
3. Supply and return risers are copper.
4. Fan motors are 115 volt, 60 cycle, single phase.
5. There are no "hands" with standard unit configuration.

Supply Grille or Register Options



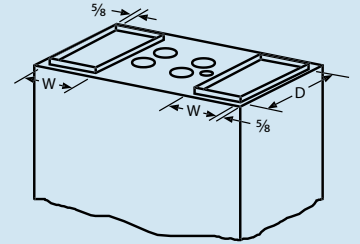
TYPE I, Front Discharge

1A) Single Deflection, 1B) Double Deflection



TYPE II, Front & Rear Discharge

1IB) Single Deflection, 1IIB) Double Deflection



TYPE V

(Must be combined with Type I, Type II, or Access Panel)

"D" dimension is centered

Supply Grille or Register Options

Unit CFM	TYPE I		TYPE II		TYPE V		
	W	H	Grille W	H	W	D	
300 400	18	8	X	18	4	6	12
			Y	18	4		
600	18	10	X	18	5	6	12
			Y	18	5		
800 1000	26	10	X	26	5	8	12
			Y	26	5		
1200	30	10	X	30	5	10	14
			Y	30	5		

All dimensions in inches. All sizes are maximum.

Grille Notes

1. All standard Whalen supply grilles and registers are fabricated of extruded aluminum.
2. See unit schedule for type of grilles or registers. Optional supply registers are available with either parallel or opposed blade dampers at extra cost.
3. Supply and return air grilles are shipped loose, for installation after drywall installation is complete.
4. Listed grille and register dimensions are for the grille opening size.
5. Unless otherwise noted, the front grille blades will be vertical, as drawn.
6. Type V ducted units include internal backdraft dampers.