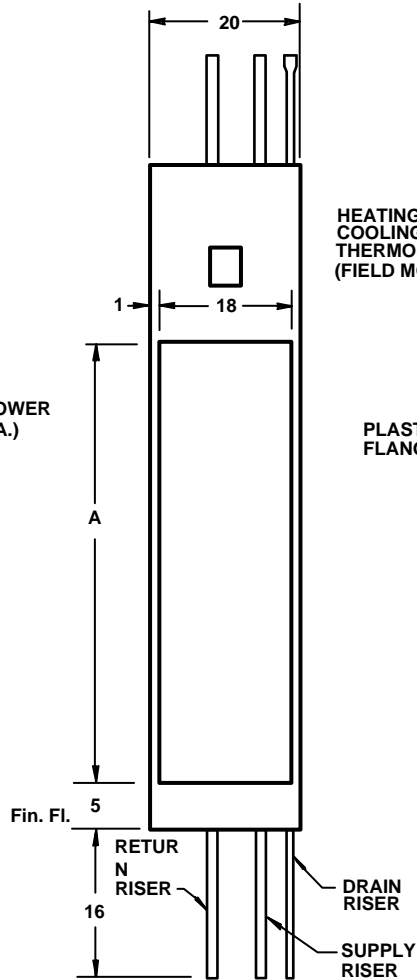
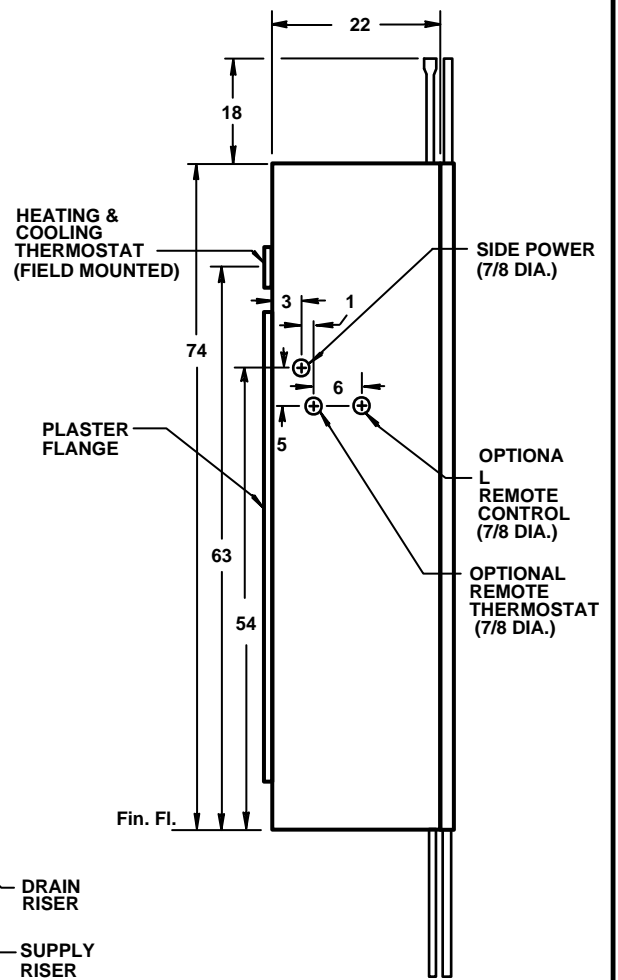


REAR RISER UNIT

PLAN VIEW



FRONT VIEW



RIGHT SIDE VIEW

Notes:

1. Cabinet is acoustically and thermally insulated, and is fabricated of continuous galvanized steel, suitable for direct application of "drywall" plaster board.
2. Supply, return and drain risers are type M copper. Riser assemblies include two shut off valves inside the cabinet. Standard units include high-pressure hose kits for connection of the refrigeration chassis. The entire bottom of the unit is a drain pan, for containment of water within the unit.
3. Fan motors are permanent split capacitor (PSC) type.

UNIT SIZE	A	MINIMUM SLEEVE SIZE	OPERATING WEIGHT LBS.
VI 1003	52	6 x 8	250
VI 1203	52	6 x 8	280

All dimensions in inches.

WATER SOURCE HEAT PUMPS

THE WHALEN COMPANY
EASTON, MARYLAND

SERIES VI VERTICAL UNITS
REAR SPLIT RISER LOCATIONS

DRAWING NUMBER 601F-R-K-VIC