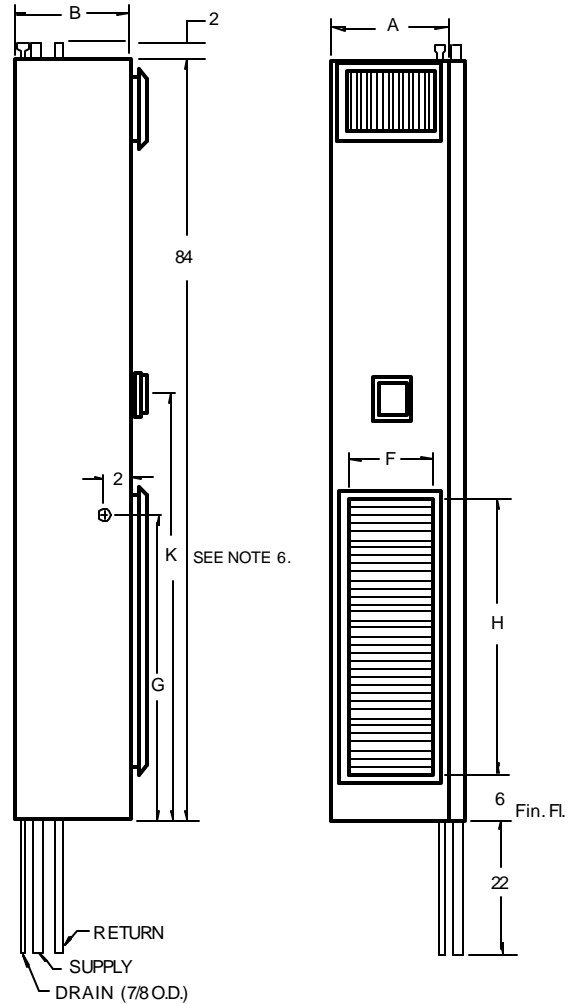


**LEFT SIDE VIEW  
REAR RISERS**

**FRONT VIEW  
REAR RISERS**



**LEFT SIDE VIEW  
SIDE RISERS  
R.H. SHOWN**

**FRONT VIEW  
SIDE RISERS  
R.H. SHOWN**

**NOTES:**

1. See drawing number 411 for supply grille or register options. The return air grille is always on the front of the unit.
2. Cabinet is continuous galvanized steel, suitable for direct application of "drywall" plasterboard.
3. Return air grille is clear anodized aluminum.
4. Supply, return and drain risers are type M copper, standard or type L, optional. Riser assemblies include two ball valves inside the cabinet.
5. See drawing number 408 for detailed riser dimensions and plan views.
6. 48" thermostat height is standard on WF\* 300- 600 units. Remote thermostat is required on WF\*-800 for 48" thermostat height.

UNIT MODEL	NOMINAL CFM	A	B	F	H	G	K
WF*-300-##	300	16	16	14	30	30	48
WF*-400-##	400	16	16	14	34	34	48
WF*-600-##	600	18	16	14	38	37	48
WF*-800-##	800	18	16	14	42	41	52

All dimensions in inches.  
 \* C = 3 ROW  
 \* D = 4 ROW  
 ## = 2P, ET or AE

**VERTICAL FAN-COIL UNITS**

**THE WHALEN COMPANY**  
 EASTON, MARYLAND

**FAN COIL UNITS-2 PIPE  
 AND OPTIONAL ELECTRIC HEAT  
 3 OR 4 ROW COOLING COILS**

DRAWING NUMBER 401C

FEBRUARY 2002