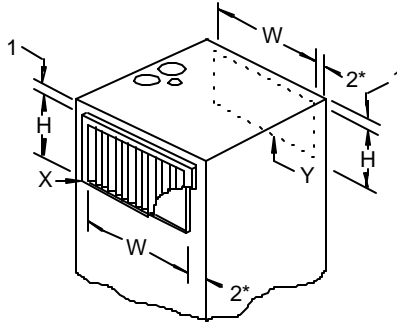
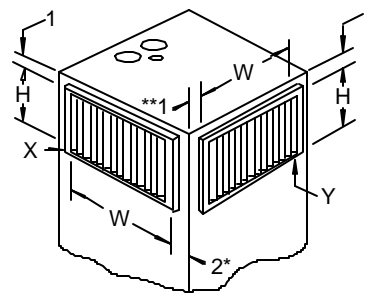


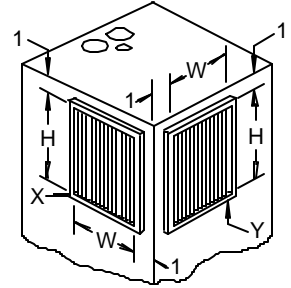
**TYPE I**  
SINGLE DISCHARGE  
(FRONT STANDARD)  
IA) SINGLE DEFLECTION  
IB) DOUBLE DEFLECTION



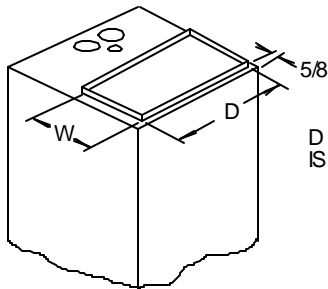
**TYPE II**  
DOUBLE DISCHARGE  
(FRONT & REAR STANDARD)  
IIA) SINGLE DEFLECTION  
IIB) DOUBLE DEFLECTION



**TYPE III**  
TWO WAY DISCHARGE  
(FRONT & SIDE OPPOSITE  
RISERS STANDARD)  
IIIA) SINGLE DEFLECTION  
IIIB) DOUBLE DEFLECTION



**TYPE IV**  
CORNER DISCHARGE  
(FRONT & SIDE OPPOSITE  
RISERS STANDARD)  
IVA) SINGLE DEFLECTION  
IVB) DOUBLE DEFLECTION



**TYPE V**  
(SEE NOTES 6 & 7)

D DIMENSION  
IS CENTERED

**NOTES:**

1. All standard Whalen supply grilles and registers are fabricated of extruded aluminum, to match the return air grille.
2. See unit schedule for type of grilles or registers. Optional supply registers are available with either parallel or opposed blade dampers at extra cost. **Consult factory for use of opposed blade dampers with Type III or Type IV discharge arrangement.**
3. Supply and return air grilles are shipped loose, for installation after the drywall installation is complete.
4. Listed grille and register dimensions are for the grille opening size.
5. Unless otherwise noted, the front grille blades will be vertical, as drawn.
6. Type V (top ducted) may be combined with other discharge options, although its use with unit mounted registers *should be avoided when possible*. Such combinations can increase the noise level at the unit.
7. Where Type V is combined with Type I, the front grille will be sized as a Type II - X grille.

\*This dimension from the cabinet edge to the grille opening flange is 1 inch on 300, 600 and 800 CFM units.

\*\*This dimension from the cabinet edge to the grille opening flange is 3 inches on 200 CFM units and 2 inches on 300 CFM units.

UNIT CFM	TYPE I		GRILLE	TYPE II		TYPE III		TYPE IV		TYPE V	
	W	H		W	H	W	H	W	H	W	D
200	8	8	X	8	4	8	4	4	8	6	12
			Y	8	4	8	4	4	8		
300	10	8	X	10	4	10	4	4	10	6	12
			Y	10	4	10	4	4	10		
400	12	10	X	12	6	12	6	6	12	8	12
			Y	12	6	12	6	6	12		
500	12	10	X	12	6	12	6	6	12	8	12
			Y	12	6	12	6	6	12		
600	10	14	X	10	8	10	8	6	12	10	14
			Y	8	10	10	8	6	12		
800	10	18	X	10	12	10	12	6	16	10	14
			Y	8	10	10	12	6	16		

All dimensions in inches. All sizes are maximum.

RISER HEAT-EXCHANGER VERTICAL FAN-COIL UNITS

**THE WHALEN COMPANY**  
EASTON, MARYLAND

SUPPLY GRILLE OR REGISTER OPTIONS  
2-PIPE UNITS WITH FAN CYCLE CONTROL

DRAWING NUMBER 111D

OCTOBER 2001