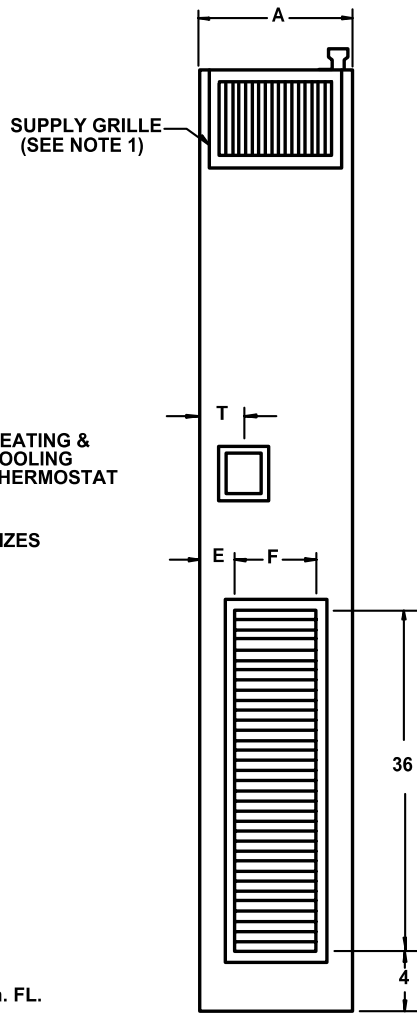
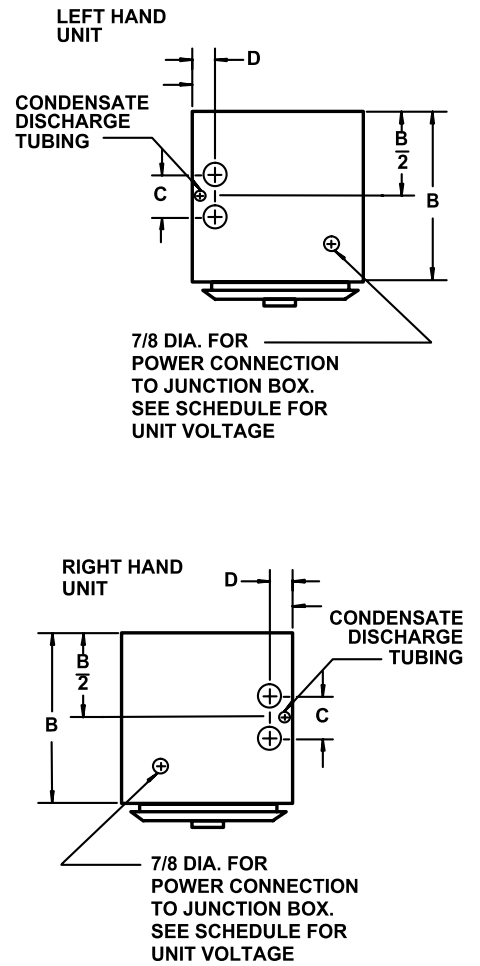


LEFT SIDE VIEW



FRONT VIEW



PLAN VIEW

NOTES:

1. See drawing number 111 for supply grille or register options. Return air grille is always on the front of the unit.
2. Cabinet is continuous galvanized steel, suitable for direct application of "drywall" plaster board.
3. Return air grille is clear anodized aluminum.
4. Supply and return risers are copper.
5. Unless otherwise noted, the fan motor runs continuously on either high or low speed.
6. Sequence of operation may be for either total electric heat or for auxiliary electric heat.
7. Separate 115/1/60 field power connection to condensate pump is required at the time unit power connection is made.

MODEL	NOM-CFM	A	B	C	D	E	F	P	T
W202F	200	12	14	2 1/2	1 1/2	2	8	2 1/2	3
W302F	300	12	14	2 1/2	1 1/2	2	8	2 1/2	3
W302XF	300	14	14	4	2 3/4	2	10	3	4
W402F	400	16	16	4	2 3/4	3	10	3	4
W502F	500	16	16	4	2 3/4	3	10	3	4
W602F	600	18	16	4	2 3/4	3	12	3	6
W802F	800	18	16	4	2 3/4	3	12	3	6

All dimensions in inches.

RISER HEAT-EXCHANGER VERTICAL FAN-COIL UNITS

THE WHALEN COMPANY

EASTON, MARYLAND

2-PIPE UNITS WITH ELECTRIC HEAT, WITH FACE & BYPASS DAMPER CONTROL, WITH SINGLE POINT/SINGLE VOLTAGE POWER SUPPLY, AND WITH CONDENSATE PUMP

DRAWING NUMBER 104D-CP

AUGUST 2004